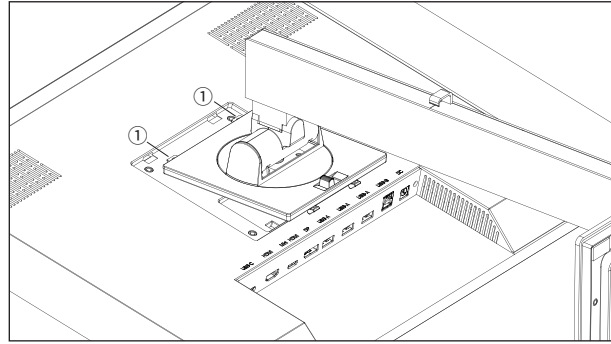


# Bigme 彩色墨水屏智能显示器B251安装指南

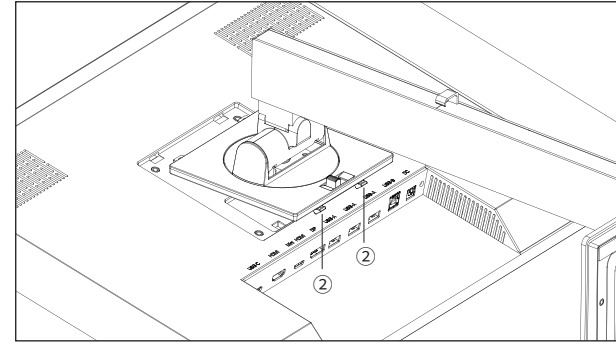
## 显示器机支架与底座组装

第一步:将显示器的屏幕保护泡棉平放在桌面上,将显示器屏幕朝下放在泡棉上,(如图1)先将VESA支架①处嵌进去

第二步:(如图2)再将VESA支架②处往下压进去



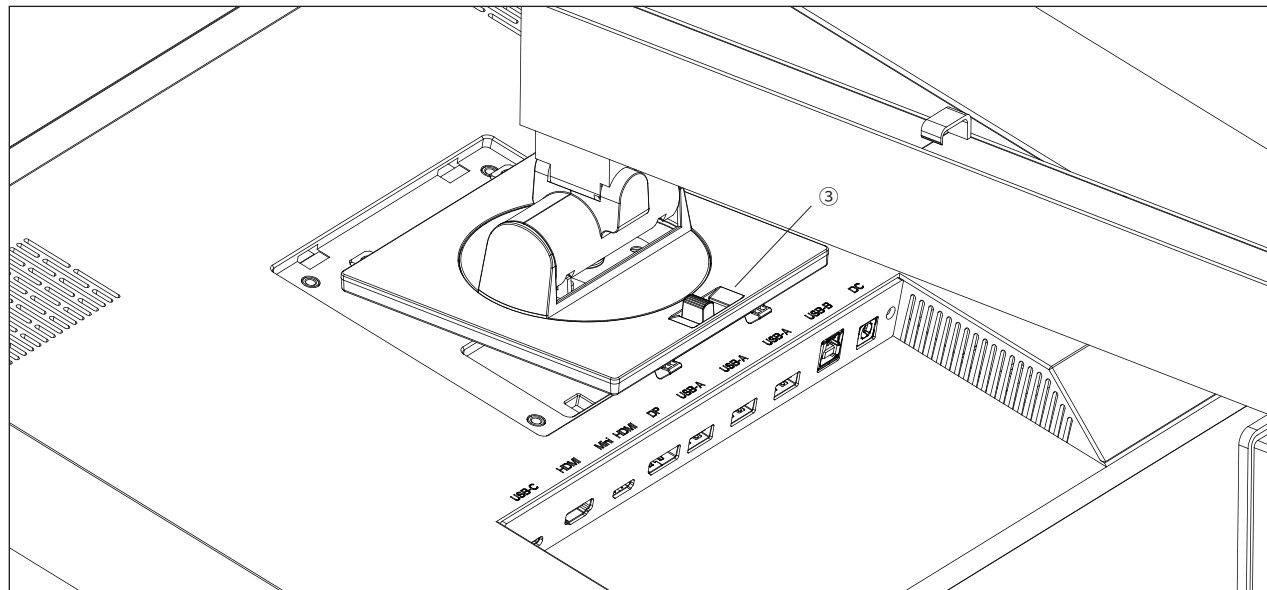
(图1)



(图2)

## 显示器机支架与底座拆分

将显示器的屏幕保护泡棉平放在桌面上,将显示器屏幕朝下放在泡棉上,(如图3)将VESA支架③处向右拨动,再轻轻把支架往上抬



(图3)

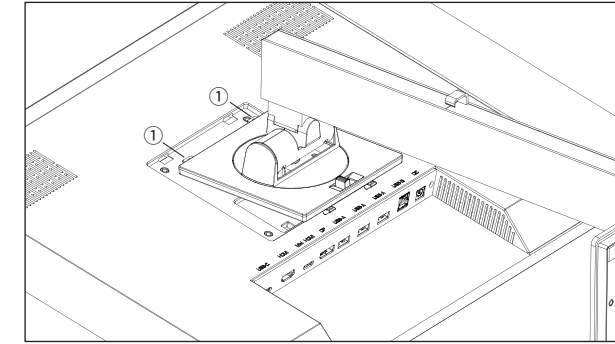
## 特别注意:

- 1.墨水屏易碎,请做好屏幕保护。
- 2.搬动显示器或调整显示器角度时,手不要直接按压或顶到屏幕,避免屏幕破裂。

# Bigme Monitor with E Ink Color Display B251 Installation Guide

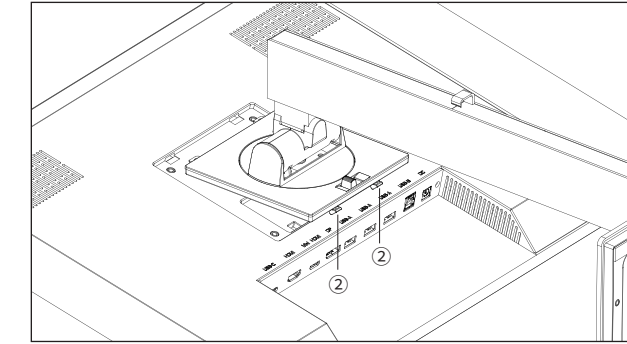
## Assembly of Monitor Stand and Base

Step 1: Lay the screen protective foam of the all-in-one PC flat on the desktop, place the all-in-one PC screen down on the foam, (as shown in Figure 1) first insert the VESA bracket at position ①.



(Figure 1)

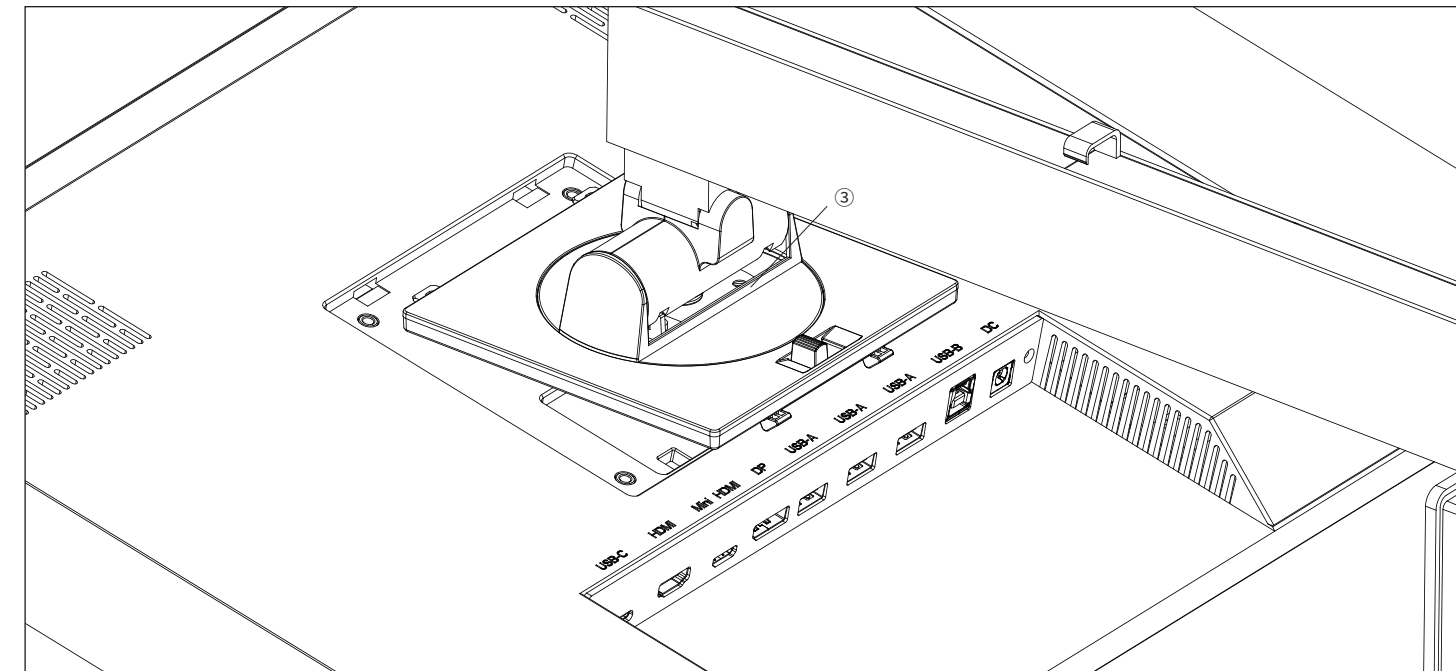
Step 2: (as shown in Figure 2) Then press down the VESA bracket at position ②.



(Figure 2)

## Disassembly of Monitor Stand and Base

Lay the screen protective foam of the Monitor flat on the desktop, place the Monitor screen down on the foam, (as shown in Figure 3) move the VESA bracket at position ③ to the right, then gently lift the bracket upwards.



(Figure 3)

## Special Attention:

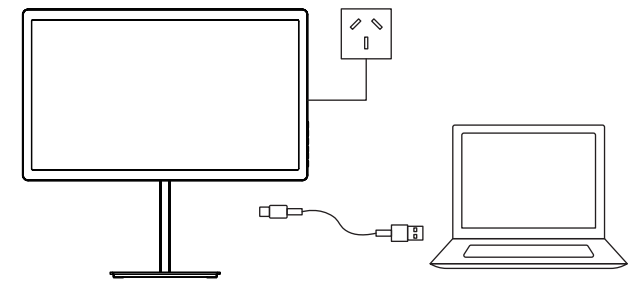
- 1.The ink screen is fragile, please protect the screen well.
- 2.When moving the Monitor or adjusting its angle, do not directly press or touch the screen to avoid screen rupture.

# Bigme 彩色墨水屏智能显示器B251使用指南

## 1. 如何与电脑连接?

### 视频输入Type-C接口连接方式 (如下图所示)

使用Type-C线与电脑全能Type-C接口进行连接,同时连接显示器电源。  
**注意:**电脑需要带有“全能Type-C接口”,非全能Type-C接口不支持视频输出。

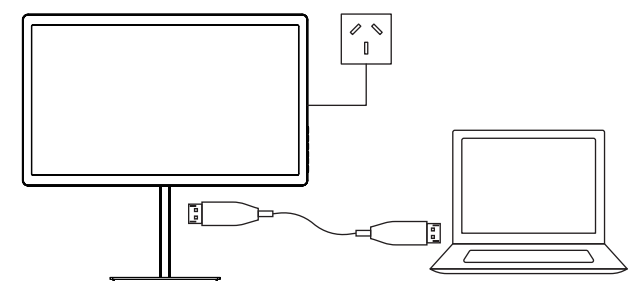


### HDMI高清接口连接方式 (如下图所示)

将HDMI数据线与电脑相连,同时连接显示器电源。

### DP高清接口连接方式 (如下图所示)

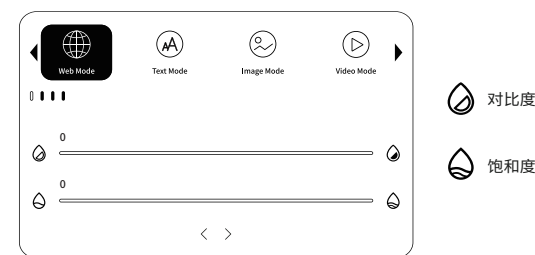
将DP数据线与电脑相连,同时连接显示器电源。



## 2. 显示模式调节

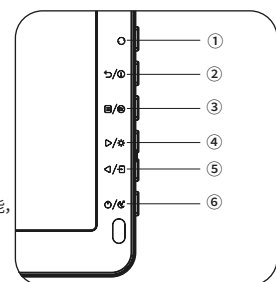
显示器默认内置了4种刷新模式

- 网页模式:适合日常电脑操作,浏览网页 日常软件使用;
- 图片模式:适用于图片浏览,观看照片;
- 文本模式:适合专注打字,文字输入录入和文字阅读场景;
- 视频模式:适用于观看视频,网课等动态播放。



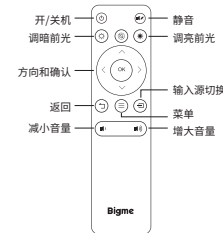
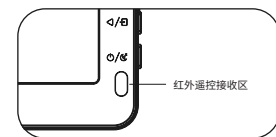
## 3. 实体按键功能

- ① 刷新:全刷功能
- ② 返回/INFO: 没有菜单时候弹出 info显示信息,有菜单的时候实现返回菜单功能
- ③ 菜单/确认: 没有菜单的时候弹出菜单,有菜单的时候是确认功能
- ④ 右翻/前光: 有菜单的时候实现菜单右翻功能,没菜单的时候直接调出前光快捷菜单
- ⑤ 左翻/输入源: 有菜单的时候实现菜单左翻功能,没菜单的时候直接调出输入源快捷选择菜单。
- ⑥ 电源: 开机和关机



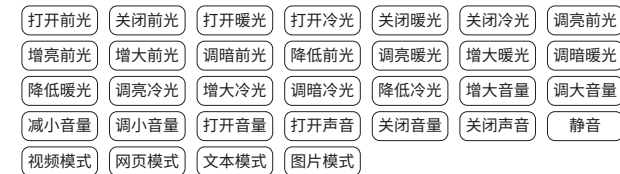
## 4. 红外遥控

红外遥控接收区:用于接受遥控器信号(如下图)

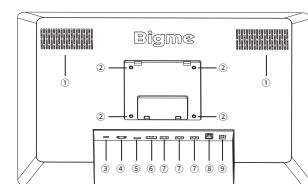


## 5. 语音控制

对设备说出以下关键词指令,便可以实现对应功能的操作



## 6. 接口说明



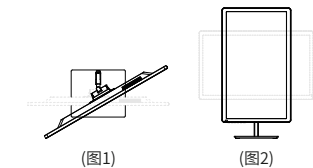
- ① 喇叭
- ② VESA接口(100X100)
- ③ 视频输入USB-C接口
- ④ HDMI接口
- ⑤ Mini HDMI接口
- ⑥ DP接口
- ⑦ USB-A接口
- ⑧ USB-B接口
- ⑨ DC(12V)电源接口

## 7. 无线投屏支持的协议

支持Miracast, Airplay,DLNA, Chromecast等。

## 8. 角度调整

- 显示器支持水平方向的角度调整(图1),同时支持屏幕90度旋转(图2)。
- 顺时针90度旋转时,请先将屏幕抬高高度,再顺时针旋转90度,防止旋转时显示屏幕与底座碰撞。



## 9. 安全使用指南

- 屏幕易碎勿撞勿压
- 内含电子器件,远离液体
- 勿私自拆机
- 使用环境0-50°C

## 声明

产品图片与实物可能有细微区别,效果演示图和示意图仅供参考,有关产品的外观(包括但不限于颜色)和功能,请以实物为准。  
深圳市大我云读写科技有限公司(Bigme Cloud Literacy Technology Co., Ltd.)保留对包含在本《快速说明》中的产品规格和内容做出更改的权利,如有更改,恕不另行通知。



固件下载



客服微信



微信订阅号

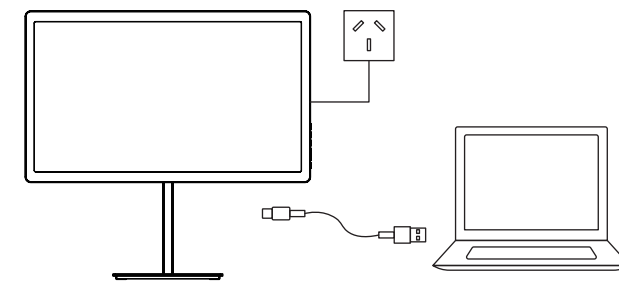
# Bigme Monitor with E Ink Color Display B251 User Guide

## 1. How to connect with a computer?

### Connect via the video input Type-C interface (as shown in the figure below)

Use a Type-C cable to connect to the full-function Type-C interface of the computer, while also connecting the Monitor power.

**Note: The computer needs to have a "full-function Type-C interface". Non-full-function Type-C interfaces do not support video output.**

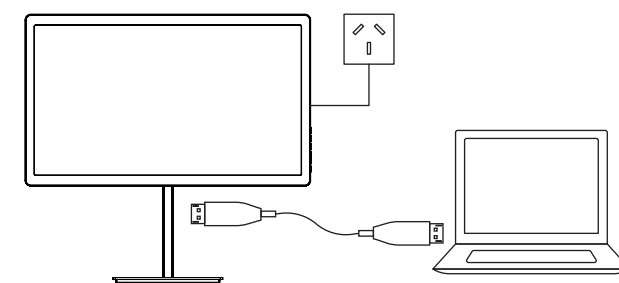


### HDMI High Definition Interface Connection Method (as shown in the figure below)

Connect the HDMI cable to the computer, while also connecting the Monitor power.

### DP High Definition Interface Connection Method (as shown in the figure below)

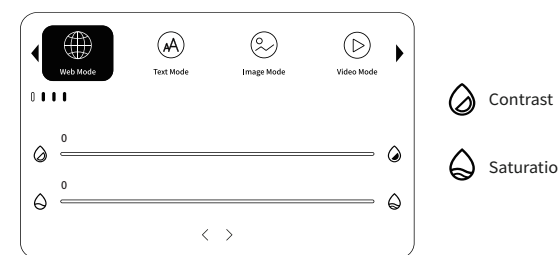
Connect the DP cable to the computer, while also connecting the Monitor power.



## 2. Display Mode Adjustment

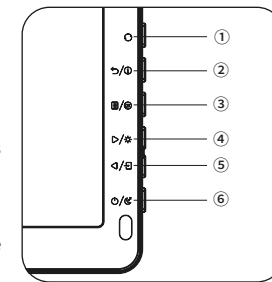
Monitor comes with four default refresh modes

- Web mode: Suitable for daily computer operations, web browsing, and everyday software use.
- Image mode: Suitable for picture browsing, photo viewing.
- Text Mode: Suitable for focused typing, text input, and text reading scenarios.
- Video Mode: Suitable for watching videos, online classes, and other dynamic playback.



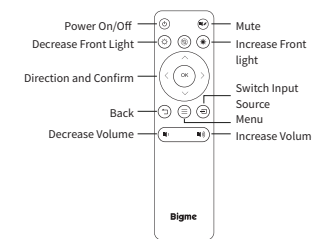
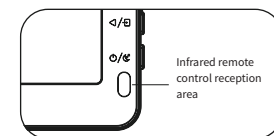
## 3. Physical Key Functions

- ① Refresh: Full refresh function
- ② Back/INFO: When there is no menu, pop up display information, when there is a menu, it returns to the menu
- ③ Menu/Confirm: When there is no menu, pop up the menu, when there is a menu, it is the confirm function
- ④ Right Flip/Front Light: When there is a menu, the menu can be turned to the right., When there is no menu, directly bring up the front light shortcut menu
- ⑤ Left Flip/Input Source: When there is a menu, the menu can be turned to the left. when there is no menu, directly bring up the input source shortcut menu
- ⑥ Power: power on/off.



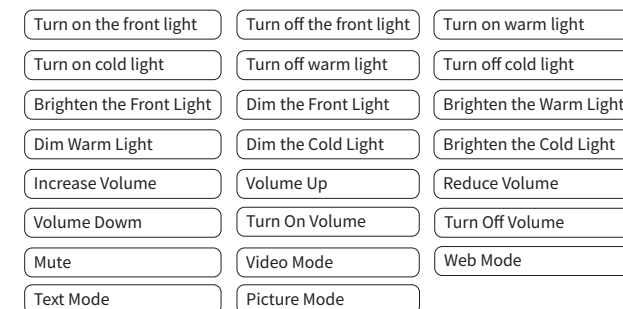
## 4. Infrared Remote Control

Infrared remote control reception area: Used to receive remote control signals (as shown in the figure below)

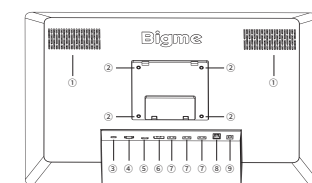


## 5. Voice Control

Speak the following keyword commands to the device to active the corresponding function operation.



## 6. Interface Description



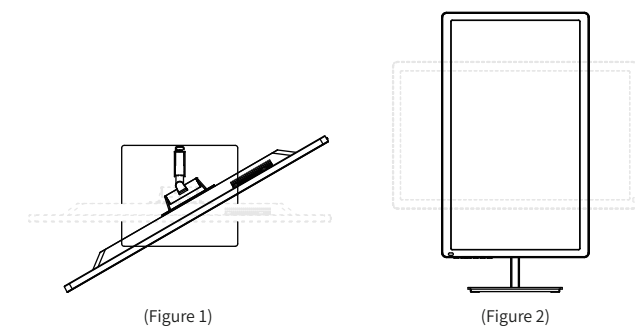
- ① speaker
- ② VESA(100 x 100)
- ③ Video input USB-C
- ④ HDMI
- ⑤ Mini HDMI
- ⑥ DP
- ⑦ USB-A
- ⑧ USB-B
- ⑨ DC(12V)

## 7. Wireless projection supported protocols

Supports Miracast, Airplay, DLNA, Chromecast, etc.

## 7. Angle Adjustment

- Monitor supports angle adjustment in the horizontal direction (Figure 1), and also supports a 90-degree rotation of the screen (Figure 2).
- When rotating 90 degrees clockwise, please first raise the height of the screen, then rotate 90 degrees clockwise to prevent the display screen from colliding with the base during rotation.



## 8. Safety Usage Guide



The screen is fragile, do not hit or press



Contains electronic components, keep away from liquids



Do not disassemble the device on your own



Operating environment 0-50°C

## Declaration

The product images may have slight differences from the actual product, the effect demonstration diagrams and schematic diagrams are for reference only. For the appearance (including but not limited to color) and functions of the product, please refer to the actual product. Bigme Cloud Literacy Technology Co., Ltd. reserves the right to make changes to the product specifications and contents included in this "Quick Guide". If there are changes, no further notice will be given.



Firmware Download



Official Website



WhatsApp